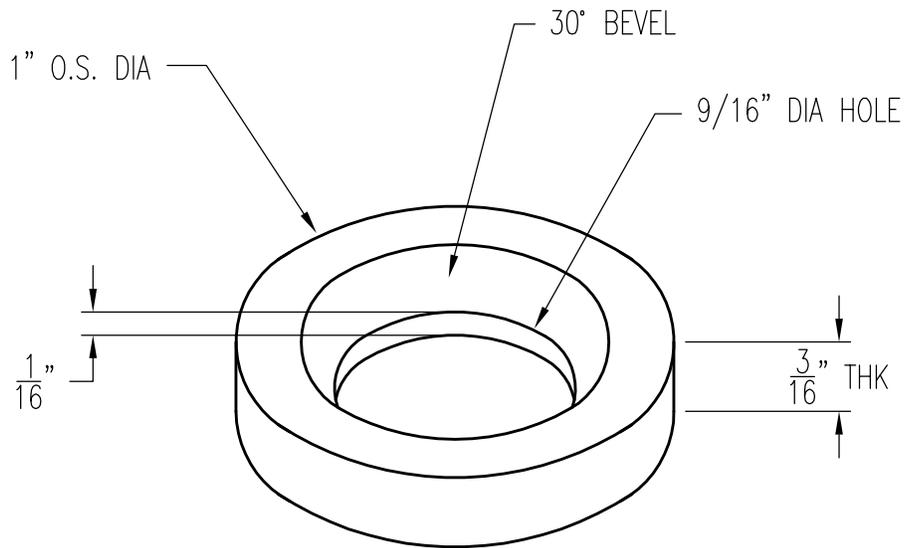


WASHER, 9/16"



PATTERN NUMBER: CC-100
DRAWING NUMBER: CA-2016-D

A007

MATERIAL, ALL: "HU"
WEIGHT: .03#